

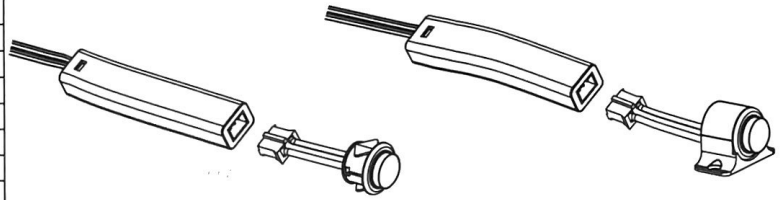
Product Name: PIR Sensor Switch

Product description: This type of PIR sensor switch is an exclusively design for class III insulation appliance.

Function description: When detected the human body move within the detection range, the switch will turn on, when the body left the detection range for 45s, the switch will turn off automatically.

Specifications:

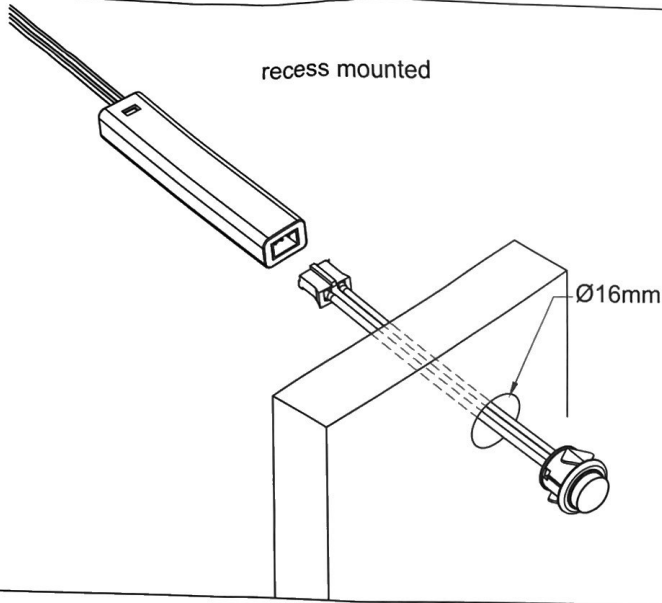
input voltage	DC12V	DC24V
output voltage	DC12V	DC24V
output current	3A max.	3A max.
quiescent current	0.6mA	0.6mA
working temperature	-20~+45°C	-20~+45°C
Effective Range	1~3M	1~3M
Detection Angle	110°	110°
Delay Time	45±5S	45±5S



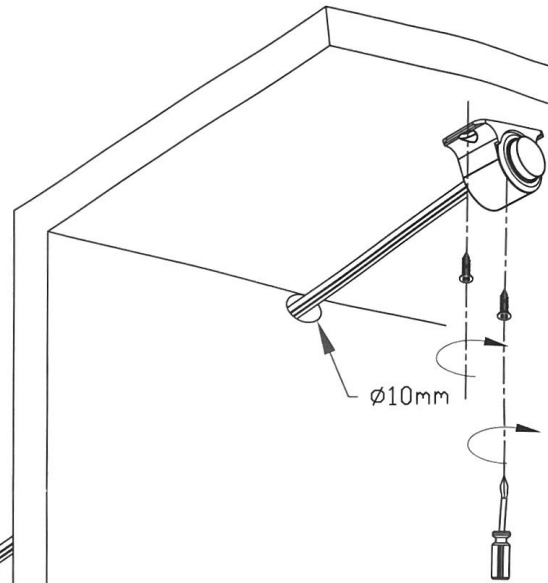
S-LV-PIR

Installation Instructions:

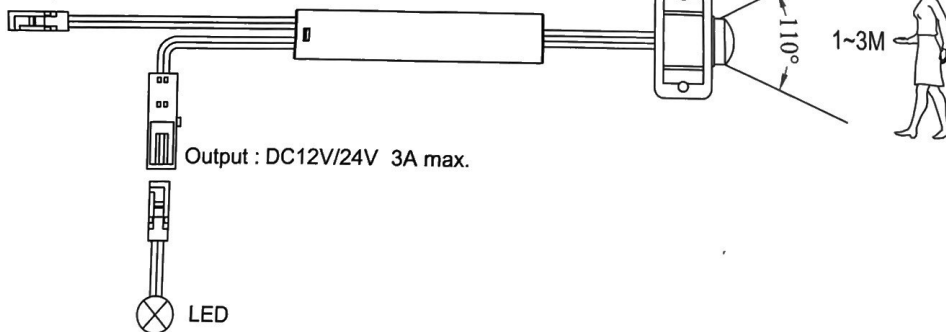
recess mounted



surface mounted



Input : DC12V/24V



Output : DC12V/24V 3A max.

LED

